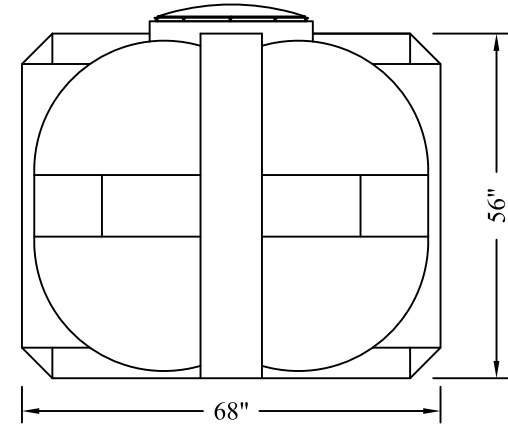
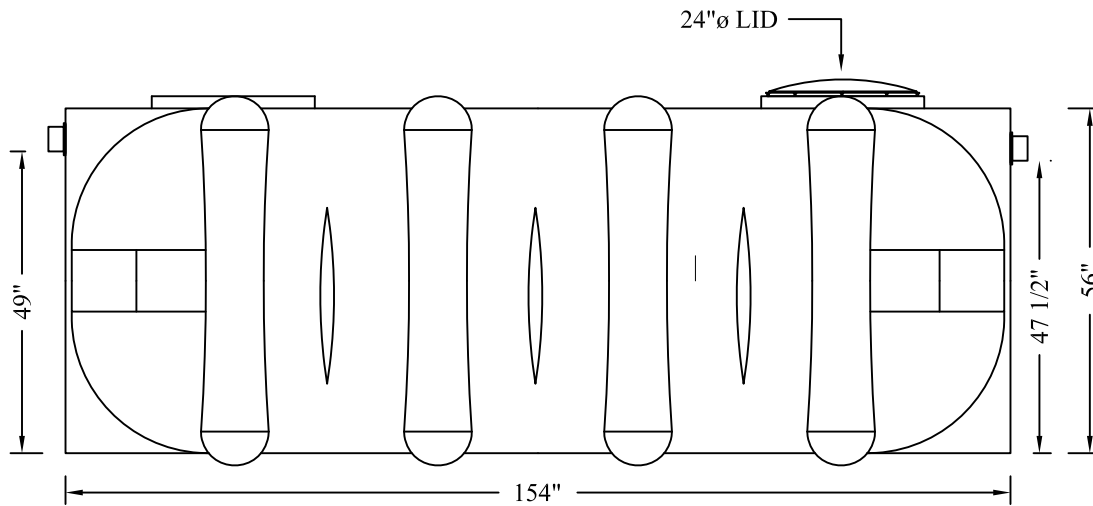


TOP VIEW




END VIEW



SIDE VIEW

MODEL No. RKS1400LP
 VOL. CAP. - 1,400 IGALS
 1,680 USGALS
 6,364 LITERS

| | | | |
|-------------------------------------|--|--------|----------|
| NOTES: | PROJECT | | |
| | MODEL No. RKC1400LP SINGLE CHAMBER SEPTIC TANK | | |
| TOTAL VOLUME LITERS: I.GALS: | | | |
| LENGTH METRIC (mm): IMPERIAL: |  CANWEST TANKS & ECOLOGICAL SYSTEMS LTD. www.canwest-tanks.com | | |
| DATE: | REV No. | SCALE: | SHEET OF |
| DRAWN BY: L J | | | DWG REF. |