

HDLPE POLYETHYLENE STORAGE TANK

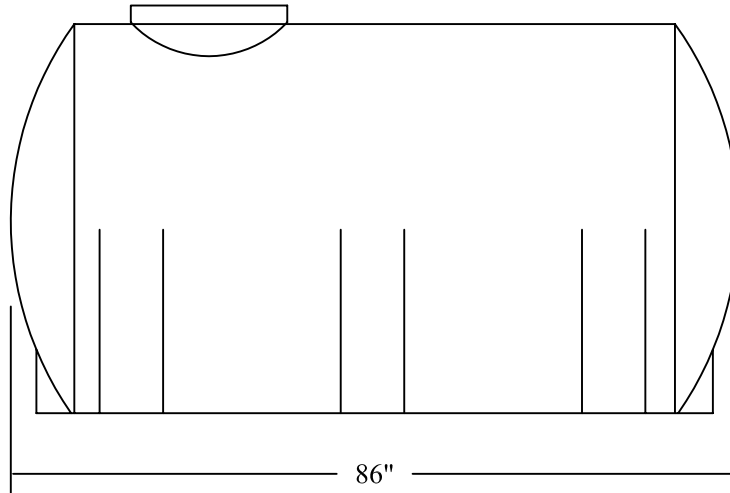
MODEL No. RKLT500

CAPACITY:

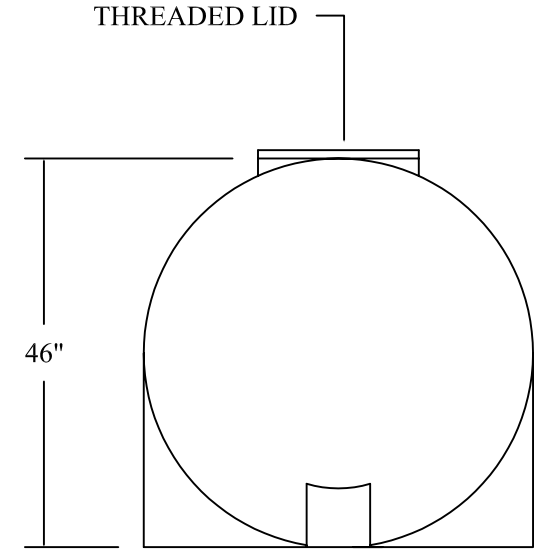
IMP. GAL.= 500

US.GAL.= 600

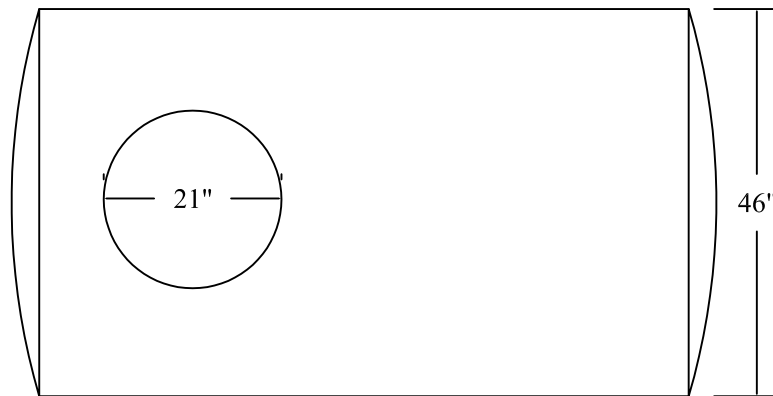
LITRES.= 2,273



SIDE VIEW



END VIEW



PLAN VIEW

NOTE:

FITTING SIZES, ORIENTATION & ELEVATION

TO BE SPECIFIED BY USER



**Canwest Tanks &
Ecological Systems Ltd.**

11975 Old Yale Road Tel.: (604) 580-3030
Surrey, B.C. V3V 3X4 Fax: (604) 580-1171
Canada E-Mail: canwest@direct.ca

This drawing is loaned "as is" for purpose of information only and is the sole property of Canwest Tanks & Ecological Systems Ltd.

HDLPE POLYETHYLENE
STORAGE / LIQUID TRANSPORT TANK

MODEL No. RKLT500

Dwg. No.

Scale:
N.T.S.

Date:
Jan./04

Drawn:

Leif J.

Rev.

of