

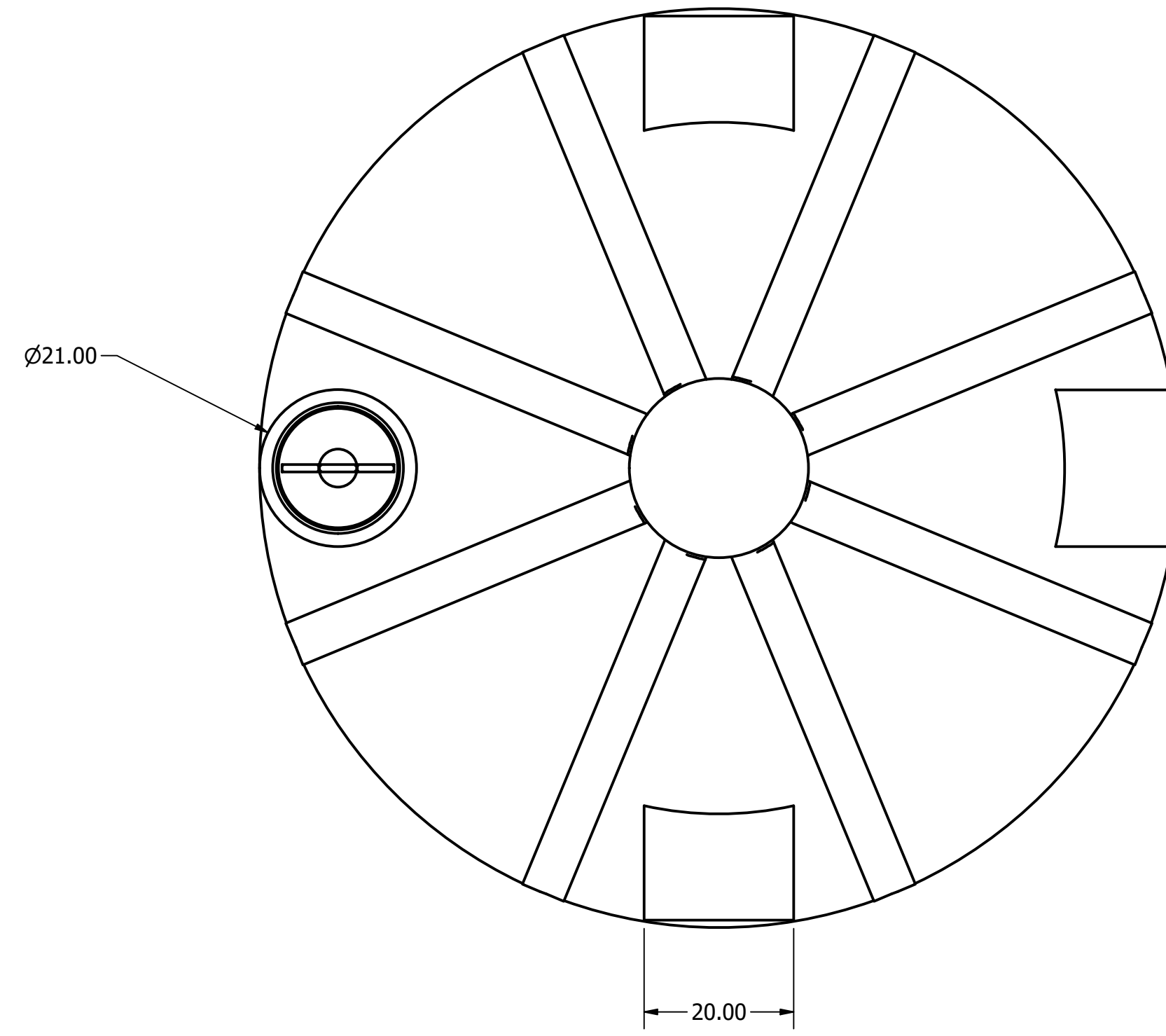
POLYETHYLENE HDLPE STORAGE TANK
MODEL No. RK5600

CAPACITY

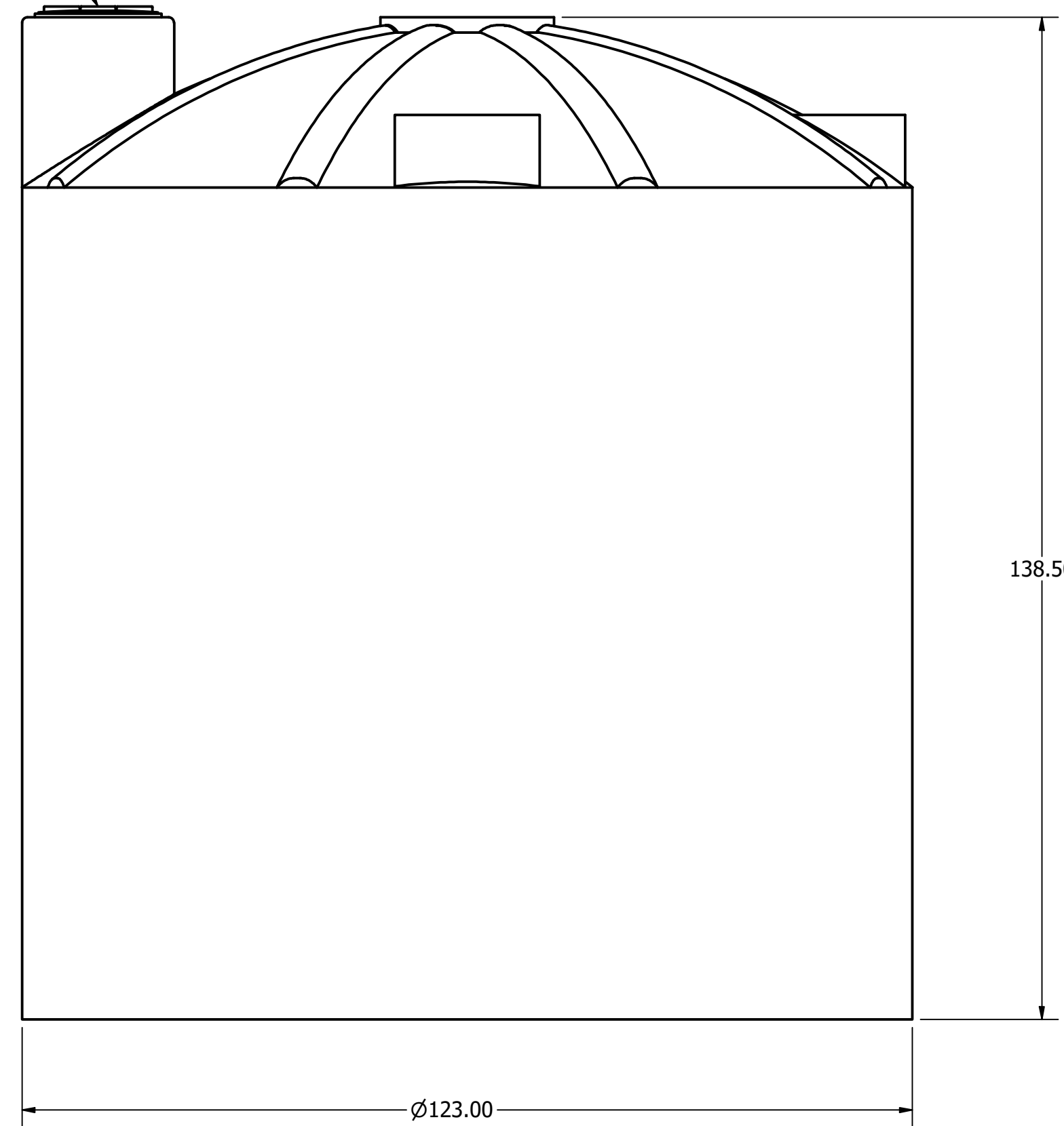
IMP GALLON : 5600
 US. GALLONS : 6160
 LITRES : 23,335

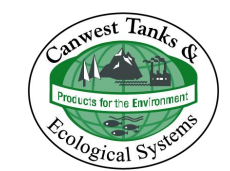
NOTE:

FITTINGS TO BE PLACED AS REQUIRED



16" Ø THREADED
 VENTED POLY LID



DRAWN KEIR PARSONS	10/29/2021	 CANWEST TANKS AND ECOLOGICAL SYSTEMS	TITLE RK5600 POLY WATER STORAGE TANK	SCALE	REVISION:
				1 / 18	SHEET 1 OF 1