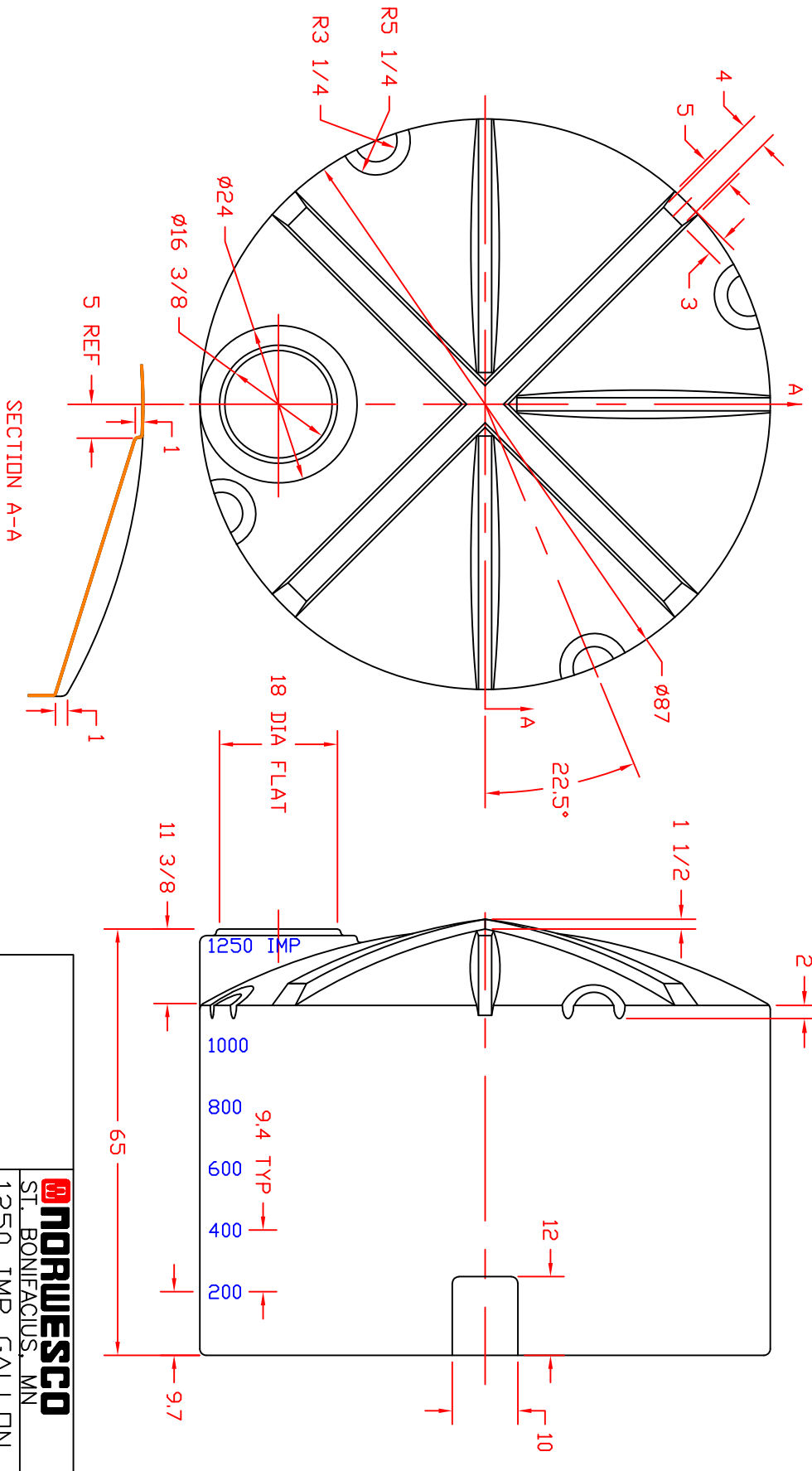


REVISIONS				
ZONE	REV	DESCRIPTION	DATE	APPROVED
A		REDRAWN W/ RIBBED TOP	20OCT96	



		ST. BONIFACIUS, MN	
1250 IMP GALLON		VERTICAL TANK	
JTP	02OCT96	SCALE	1/16
B	44533	DWG NO.	41219/41221/41223/41225
SIZE	FROM NO.	REV	
	44533		
SHEET		41219	