

HDLPE POLYETHYLENE HORIZONTAL LEG TANK

MODEL No. RKL1000

CAPACITY:

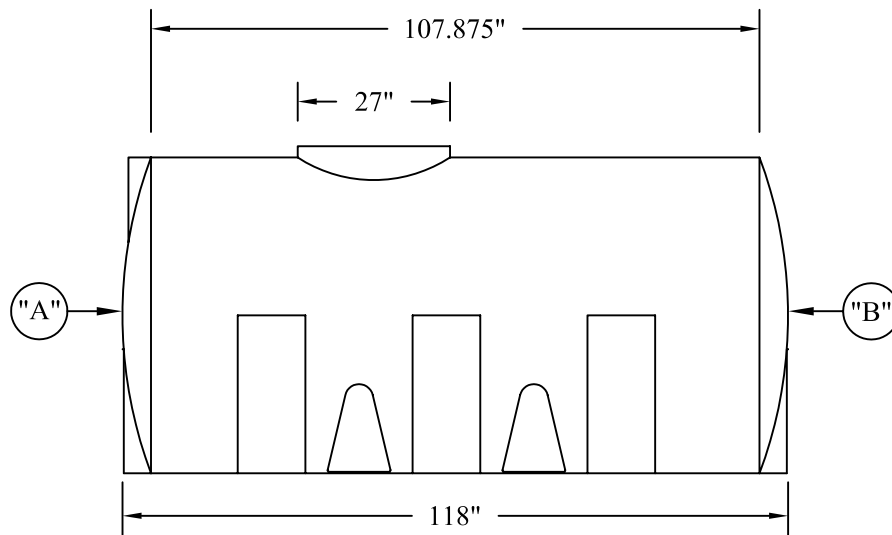
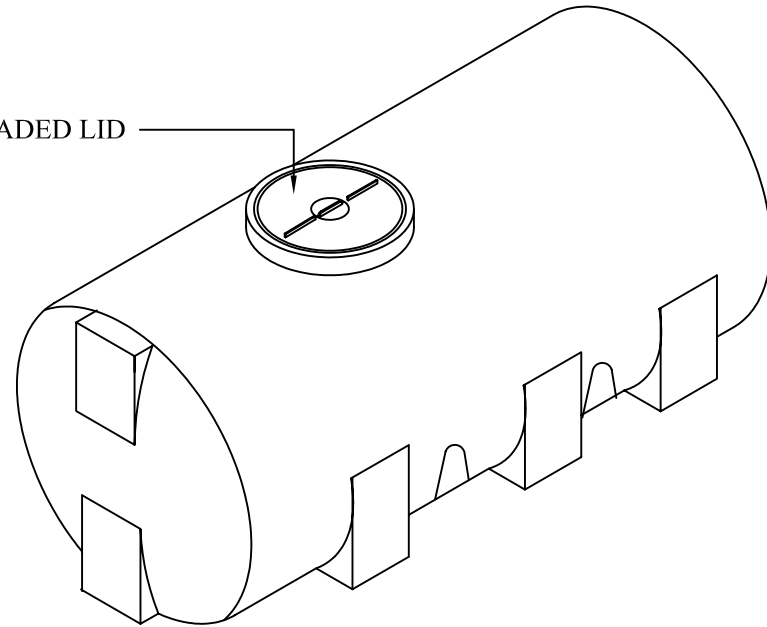
IMP. GAL.= 1,000

US.GAL.= 1,200

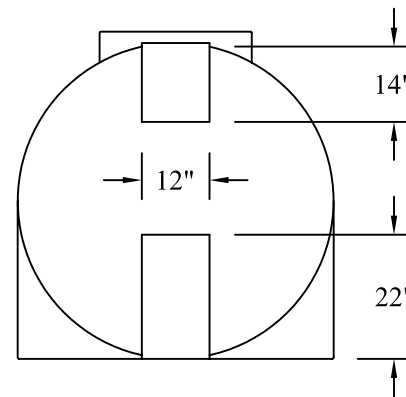
LITRES.= 4,546

Shipping Weight - 400 lbs.

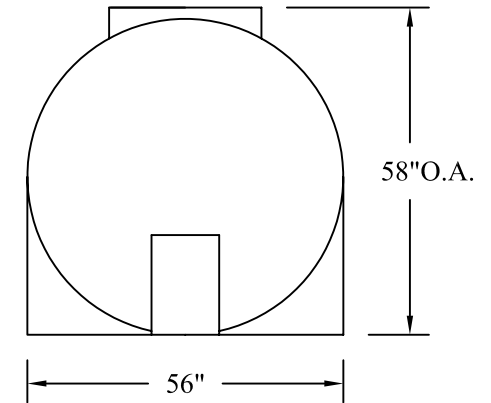
THREADED LID



SIDE VIEW



END VIEW "A"



END VIEW "B"

NOTE:

FITTINGS TO BE SPECIFIED

SIZE, ELEVATION & ORIENTATION



**Canwest Tanks &
Ecological Systems Ltd.**

11975 Old Yale Road Tel.: (604) 580-3030
Surrey, B.C. V3V 3X4 Fax: (604) 580-1171
Canada E-Mail: canwest@direct.ca

This drawing is loaned "as is" for purpose of information only and is the sole property of Canwest Tanks & Ecological Systems Ltd.

HDLPE POLYETHYLENE
STORAGE / LIQUID
TRANSPORT TANK
MODEL No. RKL1000

Dwg. No.		Drawn: Leif J.		of
Scale: N.T.S.	Date: MAR./05	Rev.		