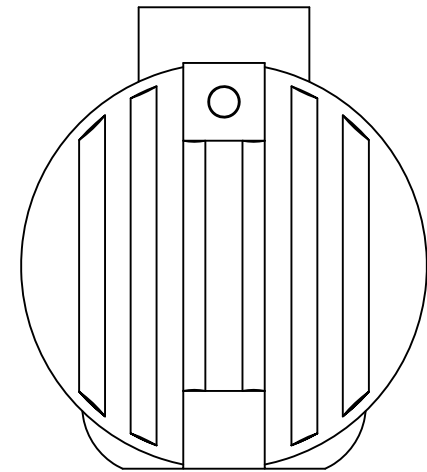


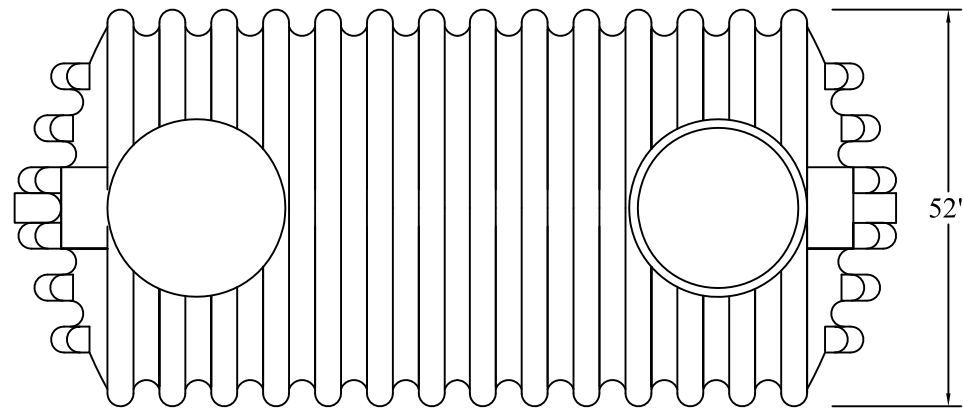
SIDE VIEW



END VIEW

Note:

Fittings to be specified; material, elevation, & orientation,



TOP VIEW

BURIAL DEPTH IS 2' EARTH COVER  
INSTALLATION INSTRUCTIONS MUST BE FOLLOWED

Total Capacity

Imp.Gal.	900
U.S.Gal.	1,080
Liters	4,091

**Canwest Tanks & Ecological Systems Ltd.**

11975 Old Yale Road  
Surrey, B.C.V3V 3X4  
Canada



Tel:604.580.3030  
Fax:604.580.1171  
Email:canwest@direct.ca

DESCRIPTION:

MODEL RKP900  
PUMP CHAMBER

CLIENT:

PROJECT:

DWG No.

SCALE	ISSUE	D/M/Y	DWN BY:	REV.	SHEET:
			LEIF J.		