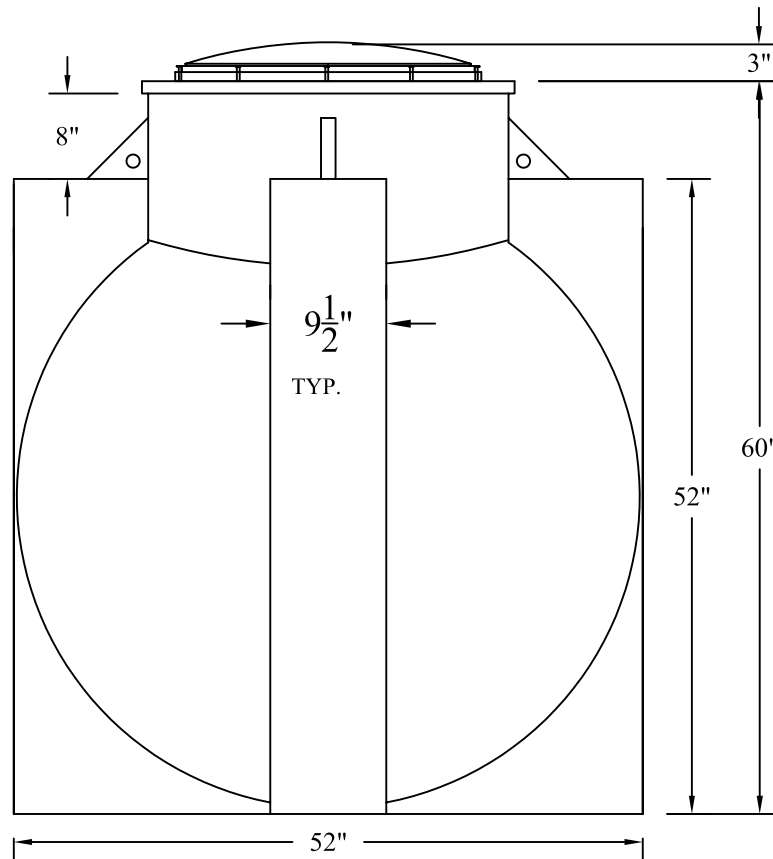
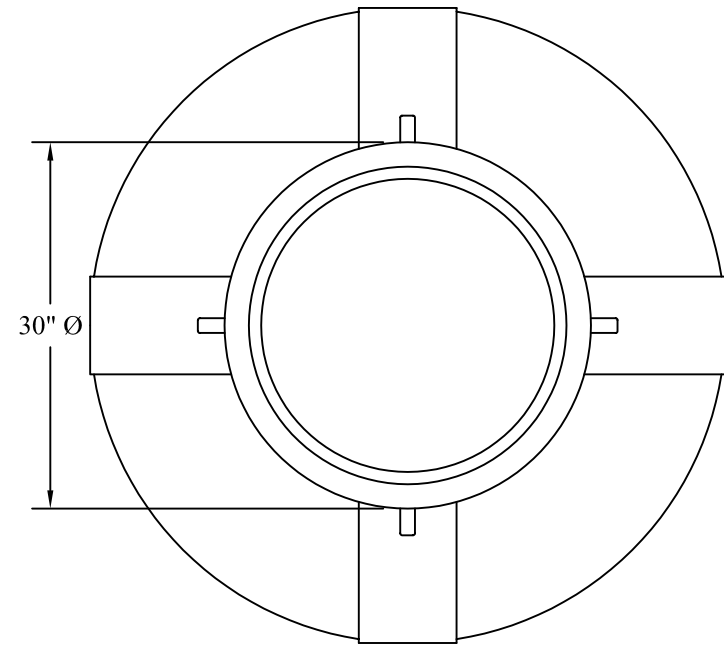


**HDPLE POLYETHYLENE PUMP CHAMBER**  
**MODEL No. RKC300**



ELEVATION VIEW  
 N.T.S.



TOP VIEW

**NOTES:**

1. THIS TANK CAN BE BURIED UP 2 FT. EARTH COVER
2. FITTINGS:  
 SIZE, ORIENTATION & ELEVATIONS  
 TO SPECIFIED BY CUSTOMER

CAPACITY  
 IMP.GAL. = 300  
 U.S.GAL. = 360  
 LITER. = 1364  
 WEIGHT = 120 LB.



**Canwest Tanks &  
 Ecological Systems Ltd.**  
 11975 Old Yale Road Tel.: (604) 580-3030  
 Surrey, B.C. V3V 3X4 Fax: (604) 580-1171  
 Canada E-Mail: canwest@direct.ca

This drawing is loaned "as is" for purpose of information only and is the sole property of Canwest Tanks & Ecological Systems Ltd.

HDPLE POLYETHYLENE  
 U.G. Cistern  
 MODEL No. RKC300

Dwg. No.		Drawn: Leif J.	
Scale: N.T.S.	Date: Sept../06	Rev.	of