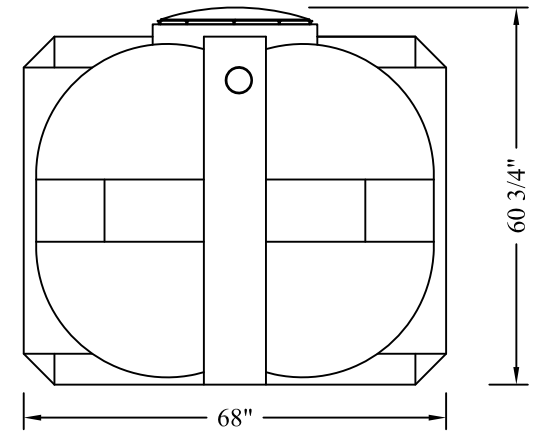
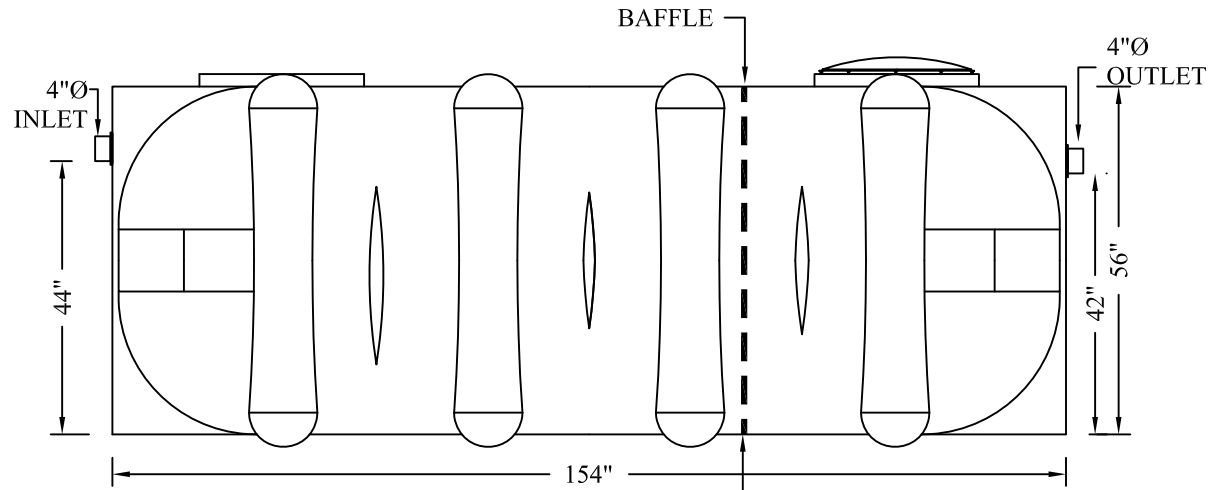


TOP VIEW



END VIEW



SIDE VIEW

TOTAL VOLUME		PROJECT		
LITERS:		<b>MODEL No. RKS1250LP/2</b> <b>TWO CHAMBER SEPTIC TANK</b>		
I.GALS:				
DIMENSIONS:				
METRIC <input type="checkbox"/> IMP. <input type="checkbox"/>				
DIA. L. H.				
DRY WEIGHT:				
DATE:				
DRAWN BY: L J	REV No.	SCALE:	DWG REF.:	SHEET OF

**CANWEST TANKS & ECOLOGICAL SYSTEMS LTD.**  
 www.canwest-tanks.com Tel: 604.580.3030