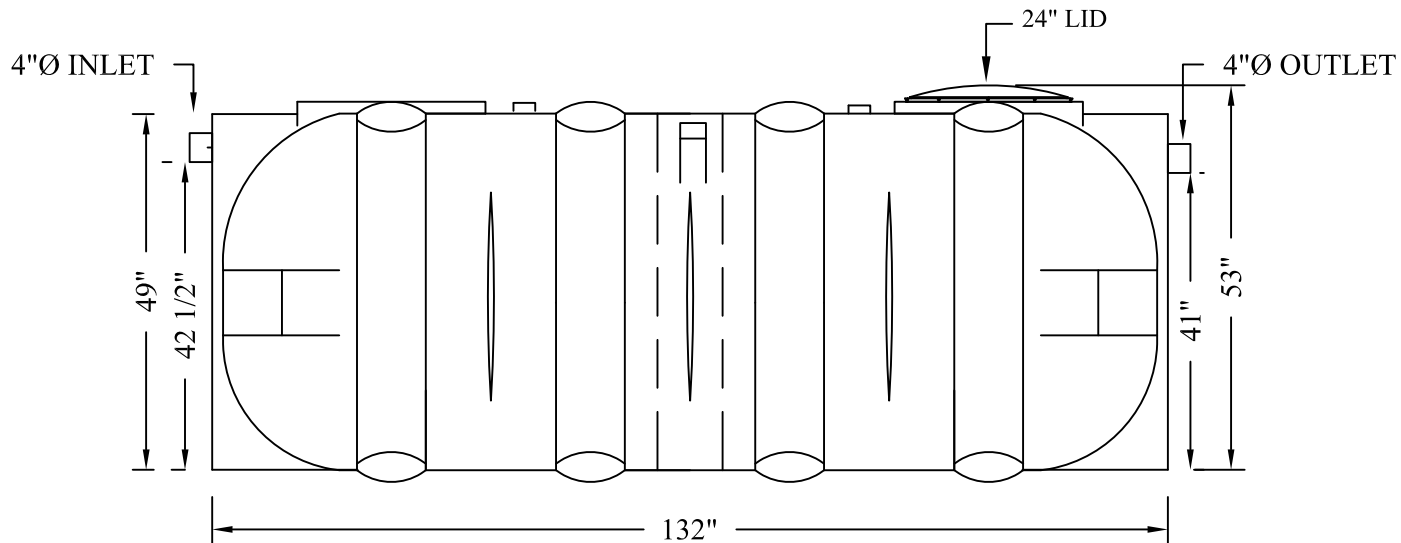
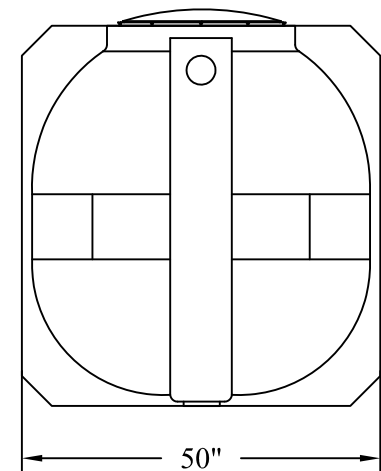


TOP VIEW




ELEVATION VIEW



END VIEW

MODEL No. RKS1000
 VOL. CAP. - 1,000 IGALS
 1,200 USGALS
 4,546 LITERS

NOTES:	<u>PROJECT</u>			
	MODEL No. RKS1000 SEPTIC TANK			
TOTAL VOLUME LITERS:	 CANWEST TANKS & ECOLOGICAL SYSTEMS LTD. www.canwest-tanks.com			
L.GALS:				
LENGTH METRIC (mm):	REV No.	SCALE:	SHEET	OF
IMPERIAL:				
DATE:				DWG REF.
DRAWN BY: L J				