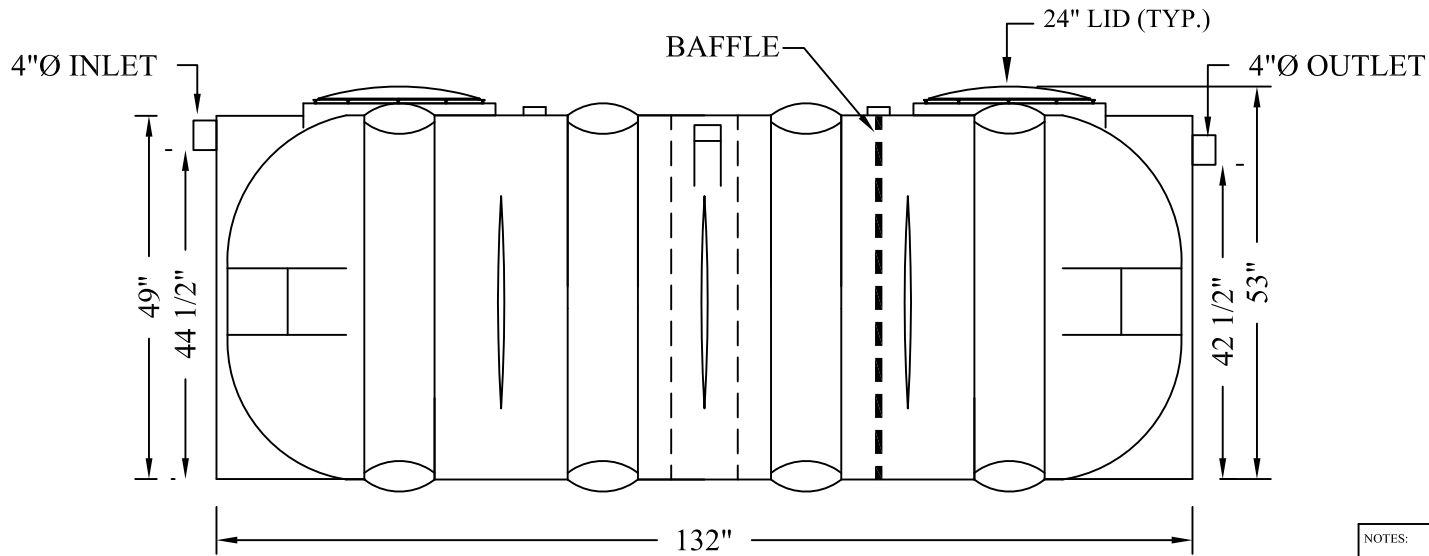


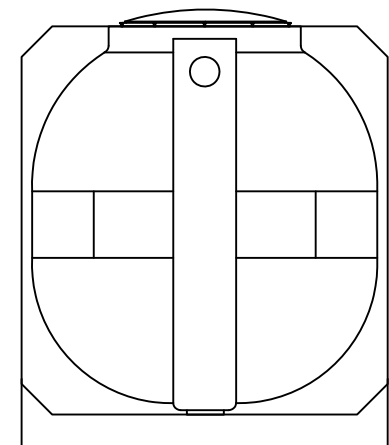
TOP VIEW



ELEVATION VIEW


MODEL No. RKS1000/2
TWO CHAMBER SEPTIC TANK

VOL. CAP. - 1,000 IGALS
1,200 USGALS
4,546 LITERS



PROJECT 50"

END VIEW
MODEL No. RKS1000/2
TWO CHAMBER SEPTIC TANK

NOTES:	PROJECT 50"			
TOTAL VOLUME LITERS: IGALS:	END VIEW MODEL No. RKS1000/2 TWO CHAMBER SEPTIC TANK			
LENGTH METRIC (mm): IMPERIAL:		CANWEST TANKS & ECOLOGICAL SYSTEMS LTD.		
DATE:		www.canwest-tanks.com		
DRAWN BY: L J	REV No.	SCALE:	SHEET OF	DWG REF.