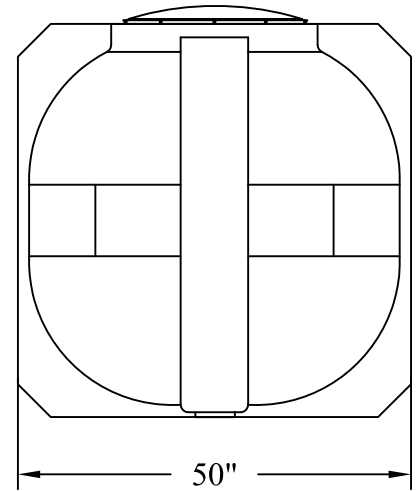
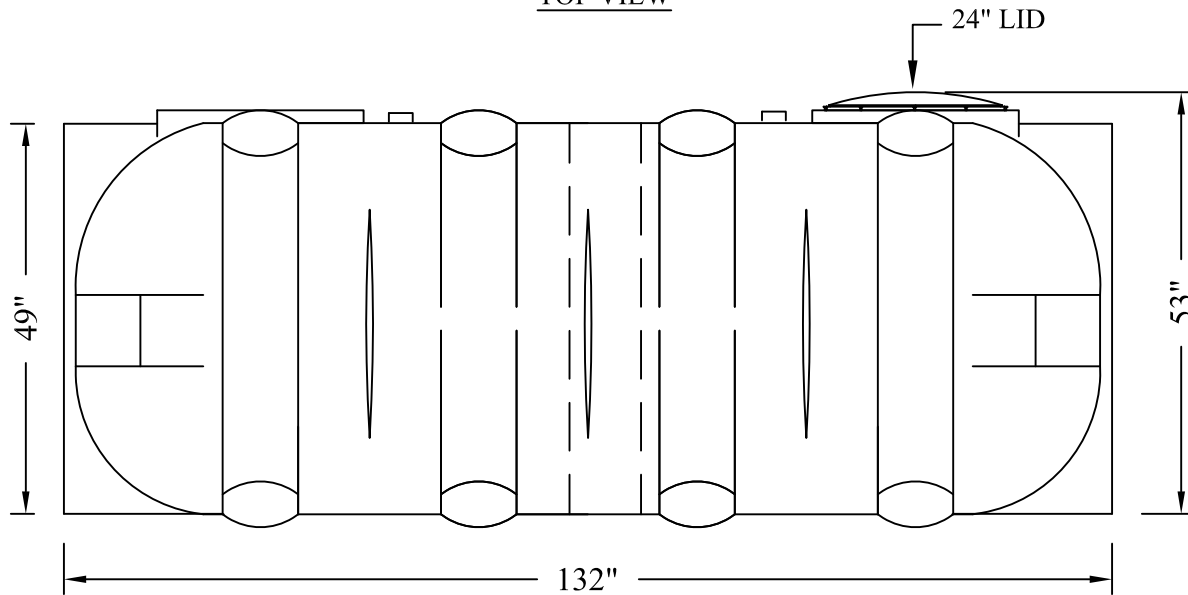


TOP VIEW



END VIEW



ELEVATION VIEW

MODEL No. RKC1000

VOL. CAP. - 1,000 IGALS  
1,200 USGALS  
4,546 LITERS

NOTES:	<u>PROJECT</u>			
	MODEL No. RKC1000 UNDER GROUND CISTERN/HOLDING TANK			
TOTAL VOLUME				
LITERS:				
I.GALS:				
LENGTH				
METRIC (mm):				
IMPERIAL:				
DATE:	REV No.	SCALE:	SHEET OF	DWG REF.
DRAWN BY: L J				



**CANWEST TANKS &  
ECOLOGICAL SYSTEMS LTD.**  
www.canwest-tanks.com